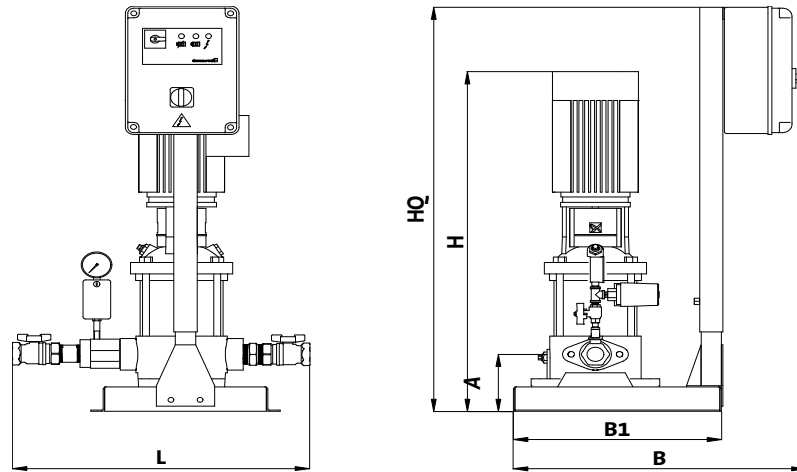
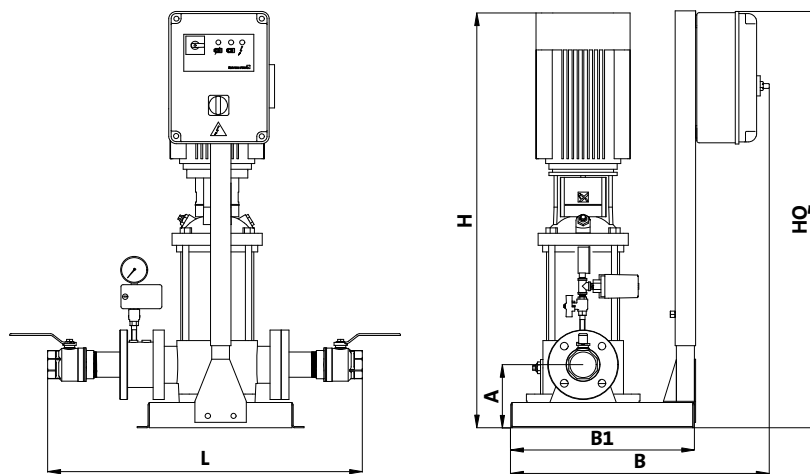


Booster set with 1 pump



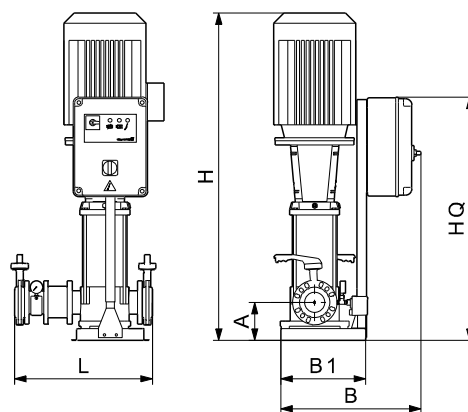
TM04 2983 3408

Fig. 8 Dimensional sketch of a Hydro 1000 booster set with a control cabinet centred the base plate



TM04 2984 3408

Fig. 9 Dimensional sketch of a Hydro 1000 booster set with a control cabinet centred on the base plate



TM04 3143 3808

Fig. 10 Dimensional sketch of a Hydro 1000 booster set with a control cabinet centred on the base plate

Dimensions and weights

Hydro 1000
1 pump

Booster set with 1 pump

Pump type	Supply voltage [V]	Motor [kW]	Manifold Connection	A [mm]	B [mm]	B1 [mm]	L [mm]	H [mm]	HQ [mm]	Weight [kg]	Design
1CR 3-5	3x380-415V, PE	0.37	R 1"¼	120	580	430	514	551	1160-1500	41.4	B
1CR 3-6	3x380-415V, PE	0.55	R 1"¼	120	580	430	514	569	1160-1500	42.5	B
1CR 3-7	3x380-415V, PE	0.55	R 1"¼	120	580	430	514	587	1160-1500	43.5	B
1CR 3-8	3x380-415V, PE	0.75	R 1"¼	120	580	430	514	651	1160-1500	45.5	B
1CR 3-10	3x380-415V, PE	0.75	R 1"¼	120	580	430	514	687	1160-1500	46.5	B
1CR 3-12	3x380-415V, PE	1.1	R 1"¼	120	580	430	514	723	1160-1500	48.5	B
1CR 3-15	3x380-415V, PE	1.1	R 1"¼	120	580	430	514	777	1160-1500	50.5	B
1CR 5-5	3x380-415V, PE	0.75	R 1"¼	120	580	430	514	642	1160-1500	44.5	B
1CR 5-7	3x380-415V, PE	1.1	R 1"¼	120	580	430	514	696	1160-1500	48.5	B
1CR 5-8	3x380-415V, PE	1.1	R 1"¼	120	580	430	514	723	1160-1500	48.5	B
1CR 5-9	3x380-415V, PE	1.5	R 1"¼	120	580	430	514	816	1160-1500	56.5	B
1CR 5-10	3x380-415V, PE	1.5	R 1"¼	120	580	430	514	843	1160-1500	56.5	B
1CR 5-13	3x380-415V, PE	2.2	R 1"¼	120	580	430	514	964	1160-1500	59.5	B
1CR 5-15	3x380-415V, PE	2.2	R 1"¼	120	580	430	514	1018	1160-1500	60.5	B
1CR 10-3	3x380-415V, PE	1.1	R 1"½	150	580	430	587	678	1160-1500	60.21	B
1CR 10-4	3x380-415V, PE	1.5	R 1"½	150	580	430	587	774	1160-1500	68.21	B
1CR 10-5	3x380-415V, PE	2.2	R 1"½	150	580	430	587	804	1160-1500	69.21	B
1CR 10-6	3x380-415V, PE	2.2	R 1"½	150	580	430	587	834	1160-1500	70.21	B
1CR 10-7	3x380-415V, PE	3	R 1"½	150	580	430	587	923	1160-1500	75.21	B
1CR 10-8	3x380-415V, PE	3	R 1"½	150	580	430	587	953	1160-1500	76.21	B
1CR 10-9	3x380-415V, PE	3	R 1"½	150	580	430	587	983	1160-1500	77.21	B
1CR 10-10	3x380-415V, PE	4	R 1"½	150	580	430	587	1050	1160-1500	89.21	B
1CR 15-2	3x380-415V, PE	2.2	DN 50	160	580	430	750	806	1160-1500	76	B
1CR 15-3	3x380-415V, PE	3	DN 50	160	580	430	750	870	1160-1500	81	B
1CR 15-4	3x380-415V, PE	4	DN 50	160	580	430	750	952	1160-1500	94	B
1CR 15-5	3x380-415V, PE	4	DN 50	160	580	430	750	997	1160-1500	95	B
1CR 15-6	3x380-415V, PE	5.5	DN 50	160	580	430	750	1093	1160-1500	117	B
1CR 15-7	3x380-415V, PE	5.5	DN 50	160	580	430	750	1138	1160-1500	119	B
1CR 15-8	3x380-415V, PE	7.5	DN 50	160	580	430	750	1183	1160-1500	123	B
1CR 20-2	3x380-415V, PE	2.2	DN 50	160	580	430	750	806	1160-1500	76	B
1CR 20-3	3x380-415V, PE	4	DN 50	160	580	430	750	907	1160-1500	92	B
1CR 20-4	3x380-415V, PE	5.5	DN 50	160	580	430	750	1003	1160-1500	114	B
1CR 20-5	3x380-415V, PE	5.5	DN 50	160	580	430	750	1048	1160-1500	116	B
1CR 20-6	3x380-415V, PE	7.5	DN 50	160	580	430	750	1093	1160-1500	119	B
1CR 20-7	3x380-415V, PE	7.5	DN 50	160	580	430	750	1138	1160-1500	121	B
1CR 32- 2-2	3x380-415V, PE	3	DN 65	175	580	430	588	980	1160-1500	113	B
1CR 32- 2	3x380-415V, PE	4	DN 65	175	580	430	588	1017	1160-1500	124	B
1CR 32- 3	3x380-415V, PE	5.5	DN 65	175	580	430	588	1106	1160-1500	144	B
1CR 32- 4	3x380-415V, PE	7.5	DN 65	175	580	430	588	1176	1160-1500	154	B
1CR 32- 5	3x380-415V, PE	11	DN 65	215	630	430	588	1504	1160-1500	192	B
1CR 32- 6	3x380-415V, PE	11	DN 65	215	630	430	588	1574	1160-1500	195	B
1CR 45-1	3x380-415V, PE	4	DN 80	210	580	430	675	1001	1160-1500	133.8	B
1CR 45-2-2	3x380-415V, PE	5.5	DN 80	210	580	430	675	1100	1160-1500	150.8	B
1CR 45-2	3x380-415V, PE	7.5	DN 80	210	580	430	675	1100	1160-1500	152.8	B
1CR 45-3	3x380-415V, PE	11	DN 80	250	630	430	675	1438	1160-1500	191.8	B
1CR 45-4	3x380-415V, PE	15	DN 80	250	630	430	675	1497	1160-1500	211.8	B
1CR 64-2-2	3x380-415V, PE	7.5	DN 100	210	580	430	687	1105	1160-1500	165.2	B
1CR 64-2	3x380-415V, PE	11	DN 100	250	630	430	687	1323	1160-1500	200.2	B
1CR 64-3-1	3x380-415V, PE	15	DN 100	250	630	430	687	1424	1160-1500	225.2	B
1CR 64-4-2	3x380-415V, PE	18.5	DN 100	250	630	430	687	1547	1160-1500	265.2	B
1CR 64-4	3x380-415V, PE	22	DN 100	250	630	430	687	1639	1160-1500	296.2	B
1CR 90-1	3x380-415V, PE	7.5	DN 100	250	580	430	702	1072	1160-1500	160.2	B
1CR 90-2-2	3x380-415V, PE	11	DN 100	250	630	430	702	1382	1160-1500	201.2	B
1CR 90-2	3x380-415V, PE	15	DN 100	250	630	430	702	1361	1160-1500	215.2	B
1CR 90-3-2	3x380-415V, PE	18.5	DN 100	250	630	430	702	1493	1160-1500	265.2	B
1CR 90-3	3x380-415V, PE	22	DN 100	250	630	430	702	1585	1160-1500	296.2	B
1CR 90-4-2	3x380-415V, PE	30	DN 100	250	630	430	702	1713	1160-1500	377.2	B

Design A: Hydro 1000 booster set with a control cabinet mounted on the same base plate as the pumps.

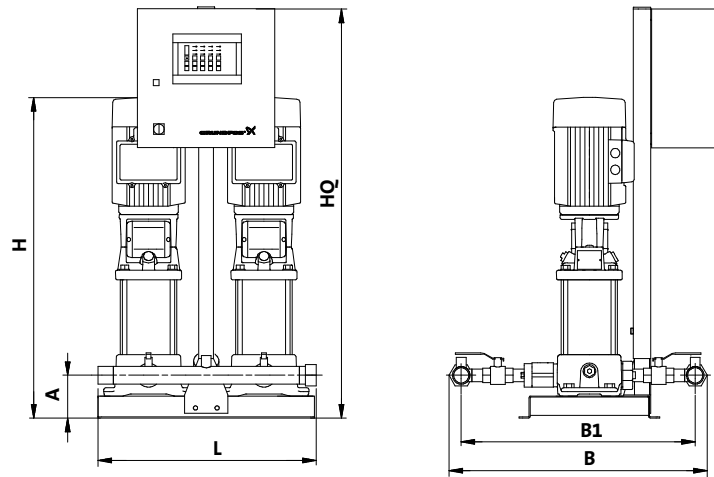
Design B: Hydro 1000 booster set with a control cabinet centred on the base plate.

Design C: Hydro 1000 booster set with a floor-mounted control cabinet.

Design D: Hydro 1000 booster set with a control cabinet mounted on a separate base plate.

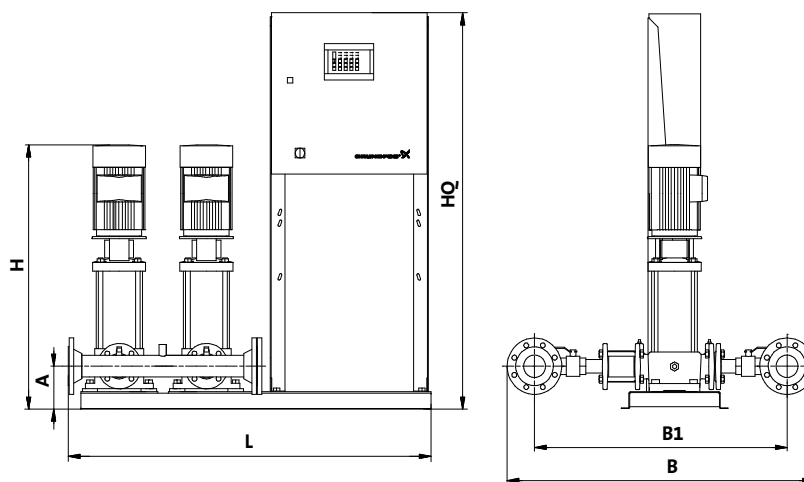
Dimensions may vary by ± 20 mm.

Booster set with 2 pump



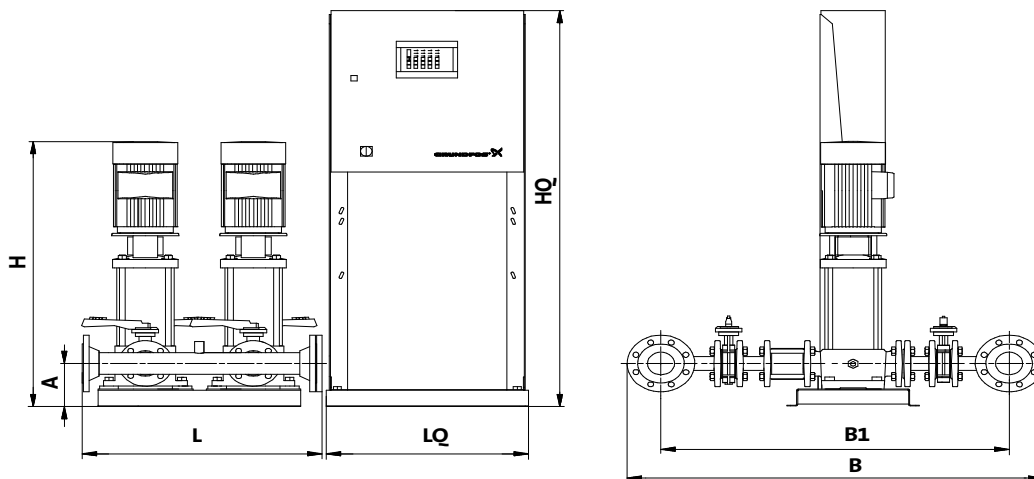
TM04 2986 3408

Fig. 11 Dimensional sketch of a Hydro 1000 booster set with a control cabinet centred the base plate



TM04 2987 3408

Fig. 12 Hydro 1000 booster set with a control cabinet mounted on the same base plate as the pumps.



TM04 2988 3408

Fig. 13 Hydro 1000 booster set with a control cabinet mounted on a separate base plate.

Dimensions and weights

Hydro 1000
2 pumps

Booster set with 2 pump

Pump type	Supply voltage [V]	Motor [kW]	Manifold Connection	A [mm]	B [mm]	B1 [mm]	L [mm]	LQ [mm]	H [mm]	HQ [mm]	Weight [kg]	Design
2CR 3-5	3x380-415V, PE	0.37	R 2	120	710	650	610	-	551	1160-1500	110	B
2CR 3-6	3x380-415V, PE	0.55	R 2	120	710	650	610	-	569	1160-1500	112	B
2CR 3-7	3x380-415V, PE	0.55	R 2	120	710	650	610	-	587	1160-1500	112	B
2CR 3-8	3x380-415V, PE	0.75	R 2	120	710	650	610	-	651	1160-1500	118	B
2CR 3-10	3x380-415V, PE	0.75	R 2	120	710	650	610	-	687	1160-1500	118	B
2CR 3-12	3x380-415V, PE	1.1	R 2	120	710	650	610	-	723	1160-1500	126	B
2CR 3-15	3x380-415V, PE	1.1	R 2	120	710	650	610	-	777	1160-1500	126	B
2CR 5-5	3x380-415V, PE	0.75	R 2	120	710	650	610	-	642	1160-1500	114	B
2CR 5-7	3x380-415V, PE	1.1	R 2	120	710	650	610	-	696	1160-1500	122	B
2CR 5-8	3x380-415V, PE	1.1	R 2	120	710	650	610	-	723	1160-1500	122	B
2CR 5-9	3x380-415V, PE	1.5	R 2	120	710	650	610	-	816	1160-1500	138	B
2CR 5-10	3x380-415V, PE	1.5	R 2	120	710	650	610	-	843	1160-1500	138	B
2CR 5-13	3x380-415V, PE	2.2	R 2	120	710	650	610	-	964	1160-1500	146	B
2CR 5-15	3x380-415V, PE	2.2	R 2	120	710	650	610	-	1018	1160-1500	146	B
2CR 10-3	3x380-415V, PE	1.1	R 2½	150	876	800	670	-	678	1160-1500	144	B
2CR 10-4	3x380-415V, PE	1.5	R 2½	150	876	800	670	-	774	1160-1500	160	B
2CR 10-5	3x380-415V, PE	2.2	R 2½	150	876	800	670	-	804	1160-1500	166	B
2CR 10-6	3x380-415V, PE	2.2	R 2½	150	876	800	670	-	834	1160-1500	166	B
2CR 10-7	3x380-415V, PE	3	R 2½	150	876	800	670	-	923	1160-1500	180	B
2CR 10-8	3x380-415V, PE	3	R 2½	150	876	800	670	-	953	1160-1500	180	B
2CR 10-9	3x380-415V, PE	3	R 2½	150	876	800	670	-	983	1160-1500	180	B
2CR 10-10	3x380-415V, PE	4	R 2½	150	876	800	670	-	1050	1160-1500	209	B
2CR 15-2	3x380-415V, PE	2.2	DN 80	160	1150	950	755	-	806	1160-1500	211	B
2CR 15-3	3x380-415V, PE	3	DN 80	160	1150	950	755	-	870	1160-1500	221	B
2CR 15-4	3x380-415V, PE	4	DN 80	160	1150	950	755	-	952	1160-1500	250	B
2CR 15-5	3x380-415V, PE	4	DN 80	160	1150	950	755	-	997	1160-1500	250	B
2CR 15-6	3x380-415V, PE	5.5	DN 80	160	1150	950	1310	-	1093	1460	282	A
2CR 15-7	3x380-415V, PE	5.5	DN 80	160	1150	950	1310	-	1138	1460	288	A
2CR 15-8	3x380-415V, PE	7.5	DN 80	160	1150	950	1310	-	1183	1460	294	A
2CR 20-2	3x380-415V, PE	2.2	DN 80	160	1150	950	755	-	806	1160-1500	244	B
2CR 20-3	3x380-415V, PE	4	DN 80	160	1150	950	755	-	907	1160-1500	244	B
2CR 20-4	3x380-415V, PE	5.5	DN 80	160	1150	950	1310	-	1003	1460	282	A
2CR 20-5	3x380-415V, PE	5.5	DN 80	160	1150	950	1310	-	1048	1460	284	A
2CR 20-6	3x380-415V, PE	7.5	DN 80	160	1150	950	1310	-	1093	1460	290	A
2CR 20-7	3x380-415V, PE	7.5	DN 80	160	1150	950	1310	-	1138	1460	292	A
2CR 32- 2-2	3x380-415V, PE	3	DN 100	175	1170	950	1037	-	980	1160-1500	342	B
2CR 32- 2	3x380-415V, PE	4	DN 100	175	1170	950	1037	-	1017	1160-1500	342	B
2CR 32- 3	3x380-415V, PE	5.5	DN 100	175	1170	950	1037	600	1106	1460	365	D
2CR 32- 4	3x380-415V, PE	7.5	DN 100	175	1170	950	1037	600	1176	1460	381	D
2CR 32- 5	3x380-415V, PE	11	DN 100	215	1170	950	1037	600	1504	1460	504	D
2CR 32- 6	3x380-415V, PE	11	DN 100	215	1170	950	1037	600	1574	1460	510	D
2CR 45-1	3x380-415V, PE	4	DN 150	210	1335	1050	1042	-	1001	1160-1500	350	B
2CR 45-2-2	3x380-415V, PE	5.5	DN 150	210	1335	1050	1042	600	1100	1460	368	D
2CR 45-2	3x380-415V, PE	7.5	DN 150	210	1335	1050	1042	600	1100	1460	378	D
2CR 45-3	3x380-415V, PE	11	DN 150	250	1335	1050	1042	600	1438	1460	554	D
2CR 45-4	3x380-415V, PE	15	DN 150	250	1335	1050	1042	600	1497	1460	597	D
2CR 64-2-2	3x380-415V, PE	7.5	DN 150	210	1335	1050	1042	600	1105	1460	377	D
2CR 64-2	3x380-415V, PE	11	DN 150	250	1335	1050	1042	600	1323	1460	558	D
2CR 64-3-1	3x380-415V, PE	15	DN 150	250	1335	1050	1042	600	1424	1460	611	D
2CR 64-4-2	3x380-415V, PE	18.5	DN 150	250	1335	1050	1042	600	1547	1460	717	D
2CR 64-4	3x380-415V, PE	22	DN 150	250	1335	1050	1042	600	1639	1460	784	D
2CR 90-1	3x380-415V, PE	7.5	DN 150	250	1485	1200	1042	600	1072	1460	563	D
2CR 90-2-2	3x380-415V, PE	11	DN 150	250	1485	1200	1042	600	1382	1460	563	D
2CR 90-2	3x380-415V, PE	15	DN 150	250	1485	1200	1042	600	1361	1460	720	D
2CR 90-3-2	3x380-415V, PE	18.5	DN 150	250	1485	1200	1042	600	1493	1460	720	D
2CR 90-3	3x380-415V, PE	22	DN 150	250	1485	1200	1042	600	1585	1460	787	D
2CR 90-4-2	3x380-415V, PE	30	DN 150	250	1485	1200	1042	600	1713	1460	975	D

Design A: Hydro 1000 booster set with a control cabinet mounted on the same base plate as the pumps.

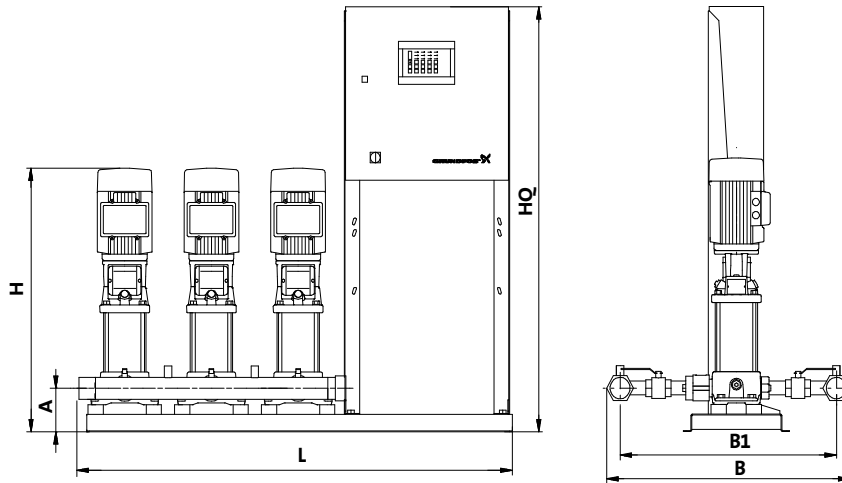
Design B: Hydro 1000 booster set with a control cabinet centred on the base plate.

Design C: Hydro 1000 booster set with a floor-mounted control cabinet.

Design D: Hydro 1000 booster set with a control cabinet mounted on a separate base plate.

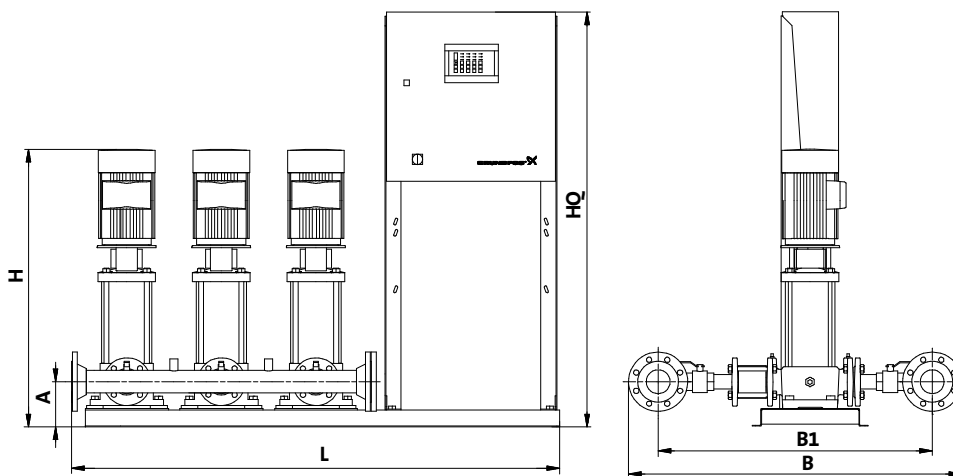
Dimensions may vary by ± 20 mm.

Booster set with 3 pump



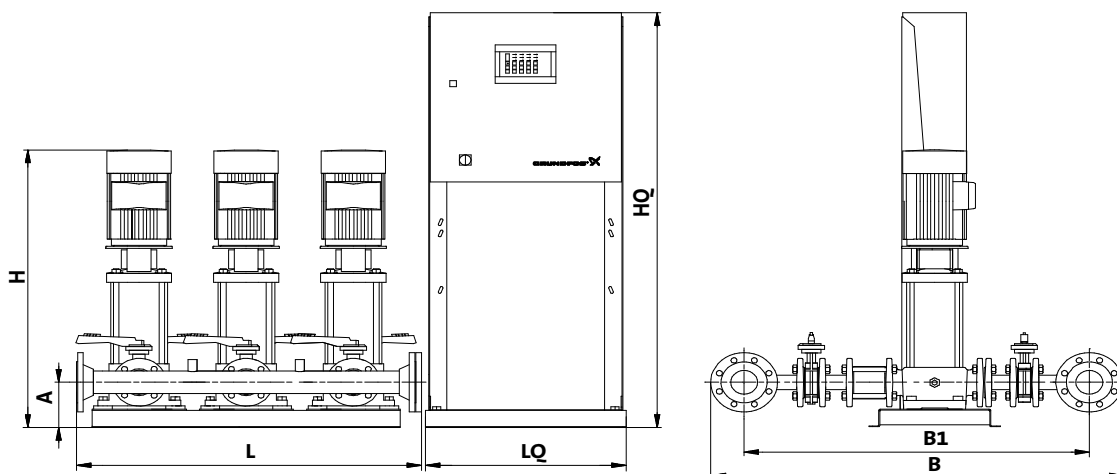
TM04 2989 3408

Fig. 14 Hydro 1000 booster set with a control cabinet mounted on the same base plate as the pumps.



TM04 2990 3408

Fig. 15 Hydro 1000 booster set with a control cabinet mounted on the same base plate as the pumps.



TM04 2991 3408

Fig. 16 Hydro 1000 booster set with a control cabinet mounted on a separate base plate.

Dimensions and weights

Hydro 1000
3 pumps

Booster set with 3 pump

Pump type	Supply voltage [V]	Motor [kW]	Manifold Connection	A [mm]	B [mm]	B1 [mm]	L [mm]	LQ [mm]	H [mm]	HQ [mm]	Weight [kg]	Design
3CR 3-5	3x380-415V, PE	0.37	R 2	120	710	650	1370	-	551	1460	172	A
3CR 3-6	3x380-415V, PE	0.55	R 2	120	710	650	1370	-	569	1460	175	A
3CR 3-7	3x380-415V, PE	0.55	R 2	120	710	650	1370	-	587	1460	175	A
3CR 3-8	3x380-415V, PE	0.75	R 2	120	710	650	1370	-	651	1460	184	A
3CR 3-10	3x380-415V, PE	0.75	R 2	120	710	650	1370	-	687	1460	184	A
3CR 3-12	3x380-415V, PE	1.1	R 2	120	710	650	1370	-	723	1460	196	A
3CR 3-15	3x380-415V, PE	1.1	R 2	120	710	650	1370	-	777	1460	196	A
3CR 5-5	3x380-415V, PE	0.75	R 2	120	710	650	1370	-	642	1460	179	A
3CR 5-7	3x380-415V, PE	1.1	R 2	120	710	650	1370	-	696	1460	191	A
3CR 5-8	3x380-415V, PE	1.1	R 2	120	710	650	1370	-	723	1460	191	A
3CR 5-9	3x380-415V, PE	1.5	R 2	120	710	650	1370	-	816	1460	215	A
3CR 5-10	3x380-415V, PE	1.5	R 2	120	710	650	1370	-	843	1460	215	A
3CR 5-13	3x380-415V, PE	2.2	R 2	120	710	650	1370	-	964	1460	227	A
3CR 5-15	3x380-415V, PE	2.2	R 2	120	710	650	1370	-	1018	1460	227	A
3CR 10-3	3x380-415V, PE	1.1	R 2½	150	876	800	1400	-	678	1460	223	A
3CR 10-4	3x380-415V, PE	1.5	R 2½	150	876	800	1400	-	774	1460	247	A
3CR 10-5	3x380-415V, PE	2.2	R 2½	150	876	800	1400	-	804	1460	256	A
3CR 10-6	3x380-415V, PE	2.2	R 2½	150	876	800	1400	-	834	1460	256	A
3CR 10-7	3x380-415V, PE	3	R 2½	150	876	800	1400	-	923	1460	277	A
3CR 10-8	3x380-415V, PE	3	R 2½	150	876	800	1400	-	953	1460	277	A
3CR 10-9	3x380-415V, PE	3	R 2½	150	876	800	1400	-	983	1460	277	A
3CR 10-10	3x380-415V, PE	4	R 2½	150	876	800	1400	-	1050	1460	320	A
3CR 15-2	3x380-415V, PE	2.2	DN 100	160	1170	950	1430	-	806	1460	322	A
3CR 15-3	3x380-415V, PE	3	DN 100	160	1170	950	1430	-	870	1460	337	A
3CR 15-4	3x380-415V, PE	4	DN 100	160	1170	950	1430	-	952	1460	380	A
3CR 15-5	3x380-415V, PE	4	DN 100	160	1170	950	1430	-	997	1460	380	A
3CR 15-6	3x380-415V, PE	5.5	DN 100	160	1170	950	1630	-	1093	1460	416	A
3CR 15-7	3x380-415V, PE	5.5	DN 100	160	1170	950	1630	-	1138	1460	425	A
3CR 15-8	3x380-415V, PE	7.5	DN 100	160	1170	950	1630	-	1183	1460	434	A
3CR 20-2	3x380-415V, PE	2.2	DN 100	160	1170	950	1430	-	806	1460	371	A
3CR 20-3	3x380-415V, PE	4	DN 100	160	1170	950	1430	-	907	1460	371	A
3CR 20-4	3x380-415V, PE	5.5	DN 100	160	1170	950	1630	-	1003	1460	416	A
3CR 20-5	3x380-415V, PE	5.5	DN 100	160	1170	950	1630	-	1048	1460	418	A
3CR 20-6	3x380-415V, PE	7.5	DN 100	160	1170	950	1630	-	1093	1460	428	A
3CR 20-7	3x380-415V, PE	7.5	DN 100	160	1170	950	1630	-	1138	1460	431	A
3CR 32- 2-2	3x380-415V, PE	3	DN 150	175	1235	950	1542	430	980	1460	522	D
3CR 32- 2	3x380-415V, PE	4	DN 150	175	1235	950	1542	430	1017	1460	522	D
3CR 32- 3	3x380-415V, PE	5.5	DN 150	175	1235	950	1542	600	1106	1460	511	D
3CR 32- 4	3x380-415V, PE	7.5	DN 150	175	1235	950	1542	600	1176	1460	589	D
3CR 32- 5	3x380-415V, PE	11	DN 150	215	1235	950	1542	600	1504	1460	771	D
3CR 32- 6	3x380-415V, PE	11	DN 150	215	1235	950	1542	600	1574	1460	780	D
3CR 45-1	3x380-415V, PE	4	DN 200	210	1390	1050	1544	430	1001	1460	562	D
3CR 45-2-2	3x380-415V, PE	5.5	DN 200	210	1390	1050	1544	600	1100	1460	576	D
3CR 45-2	3x380-415V, PE	7.5	DN 200	210	1390	1050	1544	600	1100	1460	713	D
3CR 45-3	3x380-415V, PE	11	DN 200	250	1390	1050	1544	600	1438	1460	808	D
3CR 45-4	3x380-415V, PE	15	DN 200	250	1390	1050	1544	600	1497	1460	872	D
3CR 64-2-2	3x380-415V, PE	7.5	DN 200	210	1390	1050	1544	600	1105	1460	615	D
3CR 64-2	3x380-415V, PE	11	DN 200	250	1390	1050	1544	600	1323	1460	840	D
3CR 64-3-1	3x380-415V, PE	15	DN 200	250	1390	1050	1544	600	1424	1460	919	D
3CR 64-4-2	3x380-415V, PE	18.5	DN 200	250	1390	1050	1544	600	1547	1460	1047	D
3CR 64-4	3x380-415V, PE	22	DN 200	250	1390	1050	1544	600	1639	1460	1167	D
3CR 90-1	3x380-415V, PE	7.5	DN 200	250	1540	1200	1544	600	1072	1460	848	D
3CR 90-2-2	3x380-415V, PE	11	DN 200	250	1540	1200	1544	600	1382	1460	848	D
3CR 90-2	3x380-415V, PE	15	DN 200	250	1540	1200	1544	600	1361	1460	1052	D
3CR 90-3-2	3x380-415V, PE	18.5	DN 200	250	1540	1200	1544	600	1493	1460	1052	D
3CR 90-3	3x380-415V, PE	22	DN 200	250	1540	1200	1544	600	1585	1460	1171	D
3CR 90-4-2	3x380-415V, PE	30	DN 200	250	1540	1200	1544	800	1713	1460	1422	D

Design A: Hydro 1000 booster set with a control cabinet mounted on the same base plate as the pumps.

Design B: Hydro 1000 booster set with a control cabinet centred on the base plate.

Design C: Hydro 1000 booster set with a floor-mounted control cabinet.

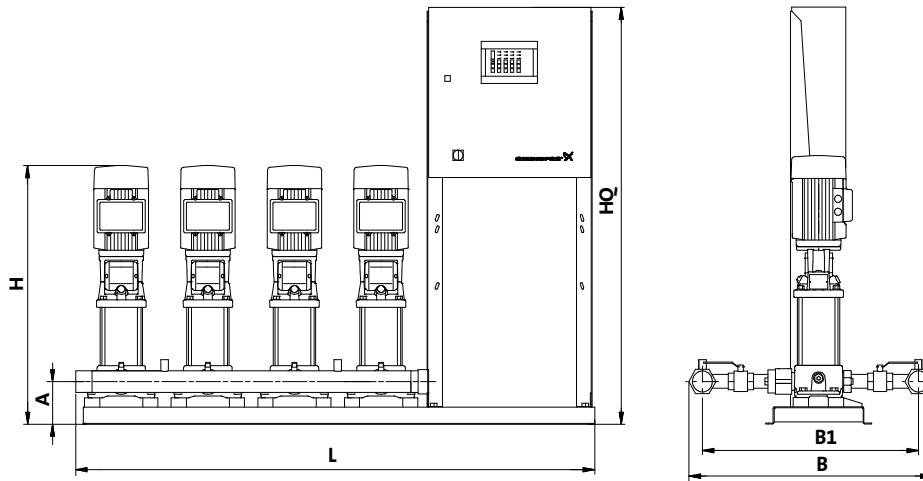
Design D: Hydro 1000 booster set with a control cabinet mounted on a separate base plate.

Dimensions may vary by ± 20 mm.

Dimensions and weights

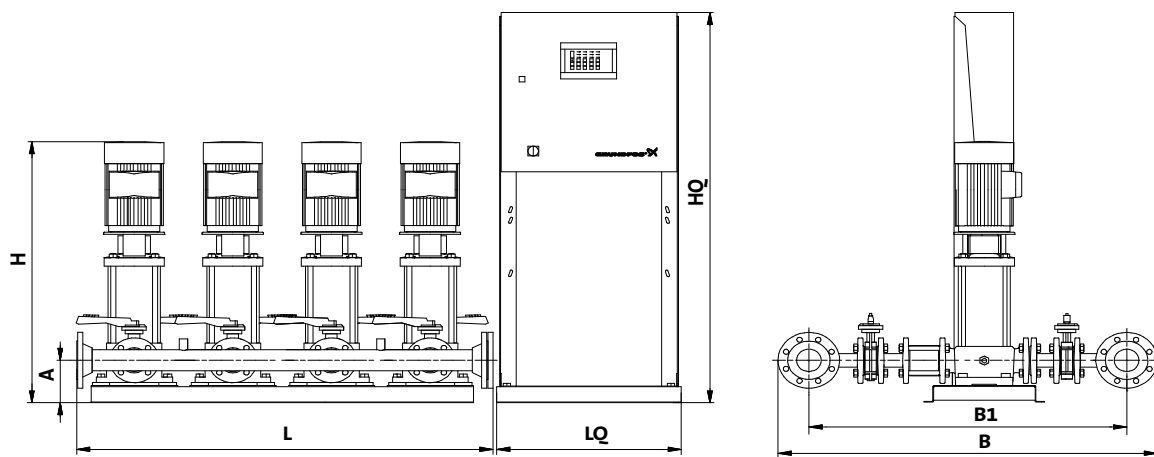
Hydro 1000
4 pumps

Booster set with 4 pump



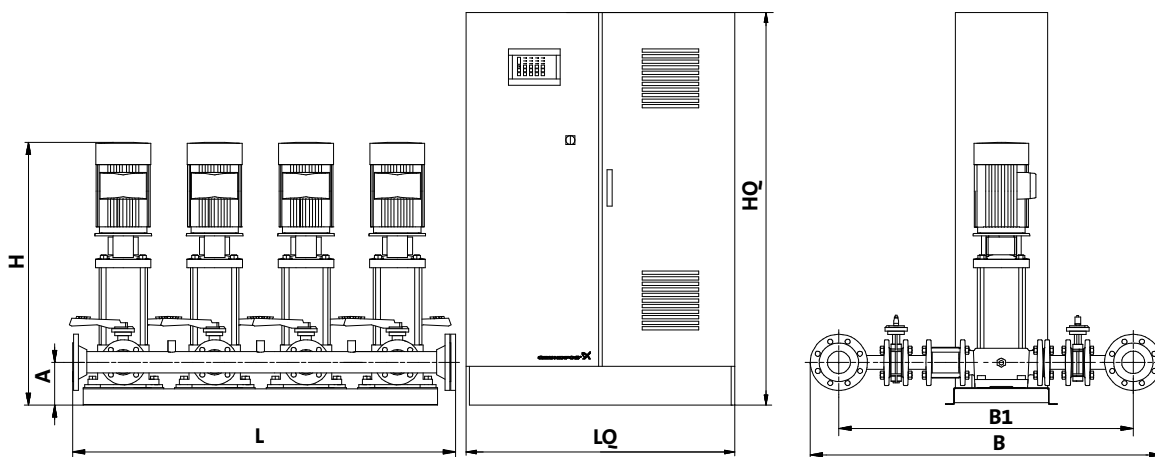
TM04 2992 3408

Fig. 17 Hydro 1000 booster set with a control cabinet mounted on the same base plate as the pumps.



TM04 2993 3408

Fig. 18 Hydro 1000 booster set with a control cabinet mounted on a separate base plate.



TM04 2994 3408

Fig. 19 Hydro 1000 booster set with a floor-mounted control cabinet.

Dimensions and weights

Hydro 1000
4 pumps

Booster set with 4 pump

Pump type	Supply voltage [V]	Motor [kW]	Manifold Connection	A [mm]	B [mm]	B1 [mm]	L [mm]	LQ [mm]	H [mm]	HQ [mm]	Weight [kg]	Design
4CR 3-5	3x380-415V, PE	0.37	R 2½	120	726	650	1690	-	551	1460	217	A
4CR 3-6	3x380-415V, PE	0.55	R 2½	120	726	650	1690	-	569	1460	221	A
4CR 3-7	3x380-415V, PE	0.55	R 2½	120	726	650	1690	-	587	1460	221	A
4CR 3-8	3x380-415V, PE	0.75	R 2½	120	726	650	1690	-	651	1460	233	A
4CR 3-10	3x380-415V, PE	0.75	R 2½	120	726	650	1690	-	687	1460	233	A
4CR 3-12	3x380-415V, PE	1.1	R 2½	120	726	650	1690	-	723	1460	249	A
4CR 3-15	3x380-415V, PE	1.1	R 2½	120	726	650	1690	-	777	1460	249	A
4CR 5-5	3x380-415V, PE	0.75	R 2½	120	726	650	1690	-	642	1460	226	A
4CR 5-7	3x380-415V, PE	1.1	R 2½	120	726	650	1690	-	696	1460	242	A
4CR 5-8	3x380-415V, PE	1.1	R 2½	120	726	650	1690	-	723	1460	242	A
4CR 5-9	3x380-415V, PE	1.5	R 2½	120	726	650	1690	-	816	1460	274	A
4CR 5-10	3x380-415V, PE	1.5	R 2½	120	726	650	1690	-	843	1460	274	A
4CR 5-13	3x380-415V, PE	2.2	R 2½	120	726	650	1690	-	964	1460	290	A
4CR 5-15	3x380-415V, PE	2.2	R 2½	120	726	650	1690	-	1018	1460	290	A
4CR 10-3	3x380-415V, PE	1.1	DN 80	150	1000	800	1720	-	678	1460	305	A
4CR 10-4	3x380-415V, PE	1.5	DN 80	150	1000	800	1720	-	774	1460	337	A
4CR 10-5	3x380-415V, PE	2.2	DN 80	150	1000	800	1720	-	804	1460	349	A
4CR 10-6	3x380-415V, PE	2.2	DN 80	150	1000	800	1720	-	834	1460	349	A
4CR 10-7	3x380-415V, PE	3	DN 80	150	1000	800	1720	-	923	1460	377	A
4CR 10-8	3x380-415V, PE	3	DN 80	150	1000	800	1720	-	953	1460	377	A
4CR 10-9	3x380-415V, PE	3	DN 80	150	1000	800	1720	-	983	1460	377	A
4CR 10-10	3x380-415V, PE	4	DN 80	150	1000	800	1720	-	1050	1460	434	A
4CR 15-2	3x380-415V, PE	2.2	DN 100	160	1170	950	1750	-	806	1460	401	A
4CR 15-3	3x380-415V, PE	3	DN 100	160	1170	950	1750	-	870	1460	421	A
4CR 15-4	3x380-415V, PE	4	DN 100	160	1170	950	1750	-	952	1460	478	A
4CR 15-5	3x380-415V, PE	4	DN 100	160	1170	950	1750	-	997	1460	478	A
4CR 15-6	3x380-415V, PE	5.5	DN 100	160	1170	950	1950	-	1093	1460	560	A
4CR 15-7	3x380-415V, PE	5.5	DN 100	160	1170	950	1950	-	1138	1460	572	A
4CR 15-8	3x380-415V, PE	7.5	DN 100	160	1170	950	1950	-	1183	1460	584	A
4CR 20-2	3x380-415V, PE	2.2	DN 100	160	1170	950	1750	-	806	1460	466	A
4CR 20-3	3x380-415V, PE	4	DN 100	160	1170	950	1750	-	907	1460	466	A
4CR 20-4	3x380-415V, PE	5.5	DN 100	160	1170	950	1950	-	1003	1460	560	A
4CR 20-5	3x380-415V, PE	5.5	DN 100	160	1170	950	1950	-	1048	1460	568	A
4CR 20-6	3x380-415V, PE	7.5	DN 100	160	1170	950	1950	-	1093	1460	576	A
4CR 20-7	3x380-415V, PE	7.5	DN 100	160	1170	950	1950	-	1138	1460	580	A
4CR 32- 2-2	3x380-415V, PE	3	DN 150	175	1235	950	2042	430	980	1460	660	D
4CR 32- 2	3x380-415V, PE	4	DN 150	175	1235	950	2042	430	1017	1460	660	D
4CR 32- 3	3x380-415V, PE	5.5	DN 150	175	1235	950	2042	600	1106	1460	781	D
4CR 32- 4	3x380-415V, PE	7.5	DN 150	175	1235	950	2042	600	1176	1460	813	D
4CR 32- 5	3x380-415V, PE	11	DN 150	215	1235	950	2042	600	1504	1460	986	D
4CR 32- 6	3x380-415V, PE	11	DN 150	215	1235	950	2042	600	1574	1460	998	D
4CR 45-1	3x380-415V, PE	4	DN 200	210	1390	1050	2044	430	1001	1460	802	D
4CR 45-2-2	3x380-415V, PE	5.5	DN 200	210	1390	1050	2044	600	1100	1460	822	D
4CR 45-2	3x380-415V, PE	7.5	DN 200	210	1390	1050	2044	600	1100	1460	912	D
4CR 45-3	3x380-415V, PE	11	DN 200	250	1390	1050	2044	600	1438	1460	1028	D
4CR 45-4	3x380-415V, PE	15	DN 200	250	1390	1050	2044	600	1497	1460	1133	D
4CR 64-2-2	3x380-415V, PE	7.5	DN 200	210	1390	1050	2044	600	1105	1460	1040	D
4CR 64-2	3x380-415V, PE	11	DN 200	250	1390	1050	2044	600	1323	1460	1070	D
4CR 64-3-1	3x380-415V, PE	15	DN 200	250	1390	1050	2044	600	1424	1460	1196	D
4CR 64-4-2	3x380-415V, PE	18.5	DN 200	250	1390	1050	2044	600	1547	1500	1356	D
4CR 64-4	3x380-415V, PE	22	DN 200	250	1390	1050	2044	600	1639	1500	1488	D
4CR 90-1	3x380-415V, PE	7.5	DN 250	250	1605	1200	2051	600	1072	1460	1151	D
4CR 90-2-2	3x380-415V, PE	11	DN 250	250	1605	1200	2051	600	1382	1460	1151	D
4CR 90-2	3x380-415V, PE	15	DN 250	250	1605	1200	2051	600	1361	1500	1434	D
4CR 90-3-2	3x380-415V, PE	18.5	DN 250	250	1605	1200	2051	600	1493	1500	1434	D
4CR 90-3	3x380-415V, PE	22	DN 250	250	1605	1200	2051	600	1585	1500	1566	D
4CR 90-4-2	3x380-415V, PE	30	DN 250	250	1605	1200	2051	700	1713	1700	1898	C

Design A: Hydro 1000 booster set with a control cabinet mounted on the same base plate as the pumps.

Design B: Hydro 1000 booster set with a control cabinet centred on the base plate.

Design C: Hydro 1000 booster set with a floor-mounted control cabinet.

Design D: Hydro 1000 booster set with a control cabinet mounted on a separate base plate.

Dimensions may vary by ± 20 mm.